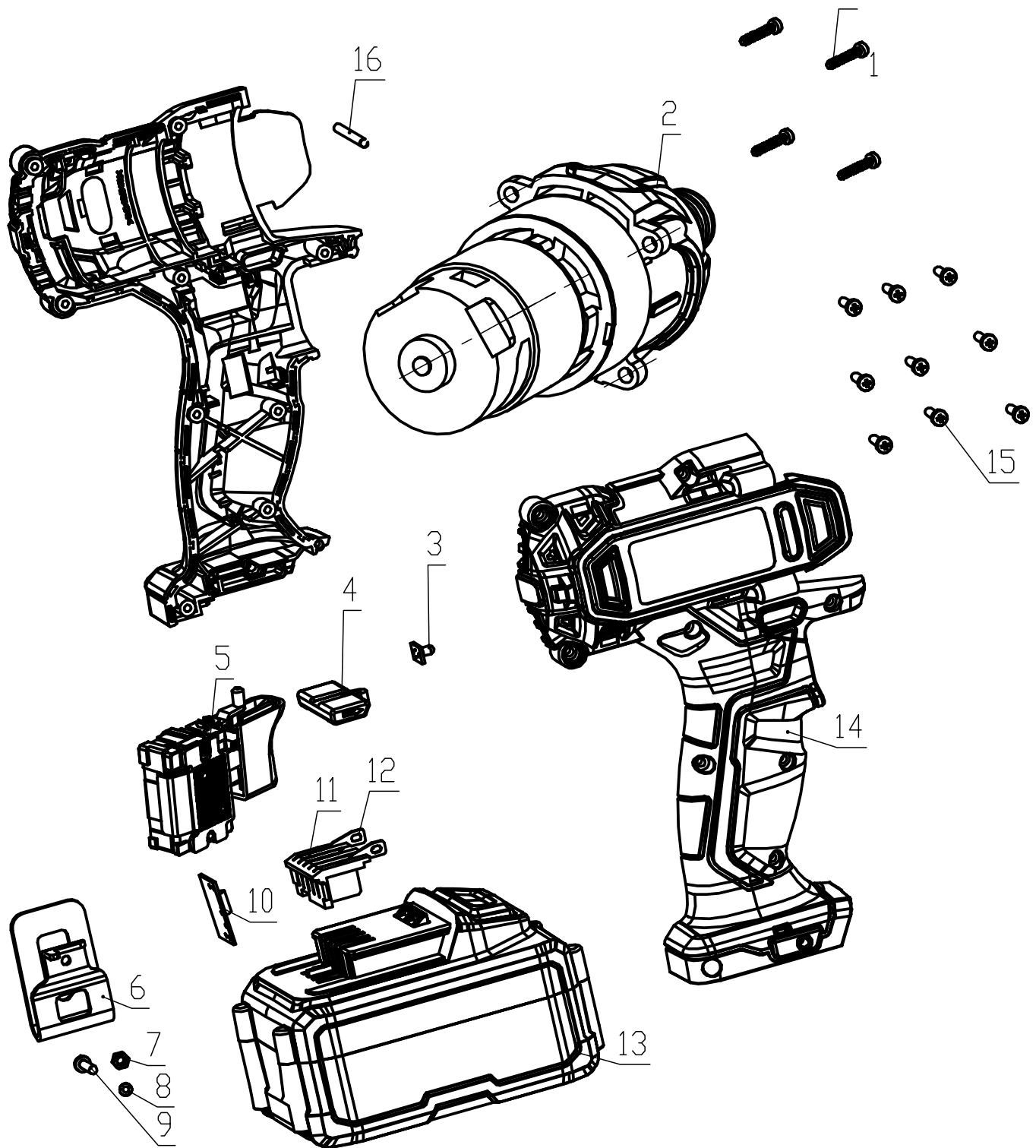




T20ID - Triton Impact Driver





T20ID - Triton Impact Driver

No	Description	Qty
1	Screw	4
2	Gear Box And Motor	1
3	LED PCB	1
4	R/L button	1
5	Switch	1
6	Belt Clip	1
7	HEX nut	1
8	Self Locking Gasket	1
9	Screw	1
10	Lens	1
11	Terminal Plate	1
12	Contact	2
13	Battery	1
14	R/L Housing	1 set
15	Screw ST3*14	9
16	Spring Pin	1